

Same small package.
Bigger output & more options.



LFL8

**Replaces 50W
MR16 Floodlight**

RAB[®]
LIGHTING
RABWEB.COM • 888-722-1000

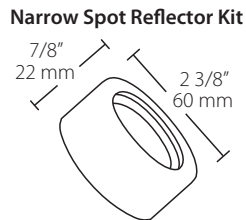
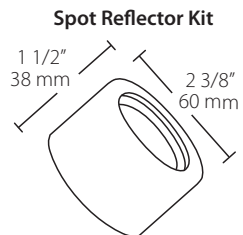
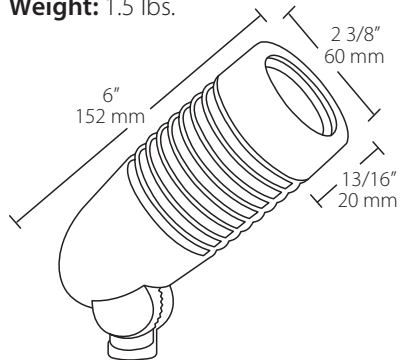
LFLLED8

- **Microprismatic diffuser produces a smooth distribution and low glare**
- **Three optical distributions available:**
Flood (standard)
Spot (optional reflector kit)
Narrow spot (optional reflector kit)
- **Runs cool; prevents burning foliage or fingers**
- **5-Year LED Warranty**



Dimensions and weight

Weight: 1.5 lbs.



Ordering information

| Product Family | Wattage | Color Temp | Finish |
|----------------|---------|-----------------------------------|--|
| LFLLED | 8 8W | Blank 4800K N 4000K Y 3000K | A Bronze W White B Black VG Verde Green |

Accessories

| | |
|--------------------|---------------------------------------|
| LSLFLED8A | Bronze Spot Reflector Kit |
| LSLFLED8B | Black Spot Reflector Kit |
| LSLFLED8W | White Spot Reflector Kit |
| LSLFLED8VG | Verde Green Spot Reflector Kit |
| LNSLFLED8A | Bronze Narrow Spot Reflector Kit |
| LNSLFLED8B | Black Narrow Spot Reflector Kit |
| LNSLFLED8W | White Narrow Spot Reflector Kit |
| LNSLFLED8VG | Verde Green Narrow Spot Reflector Kit |

Specifications

UL Listing: Suitable for wet locations. Suitable for ground mounting.

LED: High-output, long-life LED

Lifespan: 100,000-hour LED lifespan based on IES LM-80 results and TM-21 calculations

Driver: Constant Current, 50/60 Hz, 100 - 240VAC: 0.20 Amps

| Correlated Color Temp. (CCT) | 3000K | 4000K | 4800K |
|------------------------------|-------|-------|-------|
| Input Watts | 7.2 | 7.2 | 7.2 |
| Output Lumens | 511 | 469 | 588 |
| Lumens per Watt | 72 | 66 | 82 |
| Color Accuracy (CRI) | 83 | 82 | 81 |

Cold Weather Starting: Minimum starting temperature is -40°F / -40°C

Thermal Management: Optimized using computational fluid dynamics software to ensure long LED and driver lifespan

Housing: Precision die-cast aluminum housing, lens frame and mounting arm

Lens: Microprismatic diffuser produces a smooth distribution and low glare

Gaskets: High temperature silicone

Finish: Our environmentally friendly polyester powder coatings are formulated for high-durability and long-lasting color, and contain no VOC or toxic heavy metals.

Color Consistency: 4-step MacAdam Ellipse binning to achieve consistent fixture-to-fixture color

Color Uniformity: RAB's range of CCT (Correlated Color Temperature) follows the guidelines of the American National Standard for Specifications for the Chromaticity of Solid State Lighting (SSL) Products, ANSI C78.377-2008.

Green Technology: Mercury and UV free, and RoHS compliant. Polyester powder coat finish formulated without the use of VOC or toxic heavy metals.

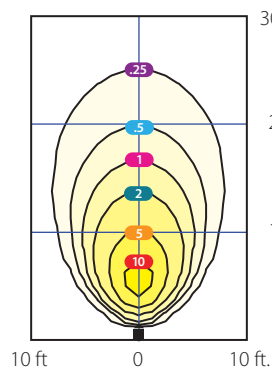
IESNA LM-79 & LM-80 Testing: RAB LED luminaires have been tested by an independent laboratory in accordance with IESNA LM-79 and LM-80, and have received the Department of Energy "Lighting Facts" label.

California Title 24: LFLLED8 complies with 2013 California Title 24 building and electrical codes as a commercial outdoor non-pole-mounted fixture < 30 Watts when used with a photosensor control. Select catalog number PCS900 (120V) or PCS900/277 to order a photosensor.

Patents: The design of the LFLLED8 is protected by patents pending in US, Canada, China, Taiwan and Mexico.

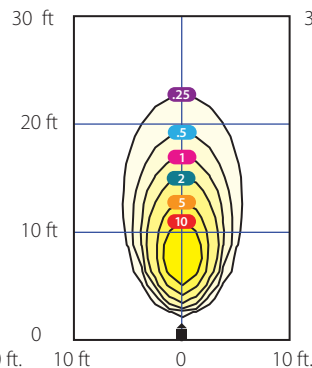
Photometrics

LFLLED8 (Flood)
5' Setback
60° Above Horizon



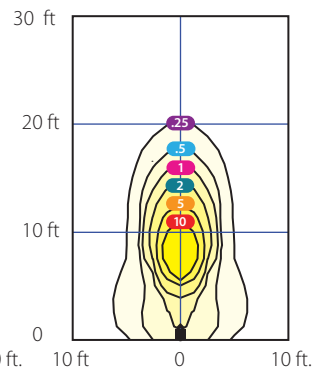
Values Shown in Footcandles
Photometric Report #ITL81963

LSLFLED8 (Spot)
5' Setback
60° Above Horizon



Values Shown in Footcandles
Photometric Report #ITL81960

LNSLFLED8 (Narrow Spot)
5' Setback
60° Above Horizon



Values Shown in Footcandles
Photometric Report #ITL81957