



# CONSTITUTION SERIES Roadway Light

Project Information	
Job Name	
Fixture Type	Roadway Light
Catalog Number	
Approved by	

LED Roadway Light



## SPECIFICATIONS:

### Construction:

This luminaire performs efficiently and reliably against rugged outdoor environment. Constructed of die-cast aluminum, this street light is designed to optimize heat dissipation.

### Optics:

The uniquely designed LED street light luminaire is a combination of advanced technology and functional design that is incorporated with a high efficiency LED module and precise optics control.

### Thermal Management:

Atlas roadway lights are designed as a complete system to optimize LED life and light output. The thermal stacking heat removal technology extracts heat from within the housing moving it away from LEDs and components. The lower temperatures result in long LED life (200,000+ hrs<sup>1</sup>) and component life and also allows for higher light output.

### Listings:

Luminaire is certified to UL/cUL Standards for Wet Locations DesignLights Consortium qualified. All are eligible for rebates from DLC member utilities.

### AC Input:

120/208/240/277/347/480 V

### Driver:

Constant current, 120-277 VAC, 50-60 Hz  
High Efficiency – min. 88%  
Off-State Power: 0 Watts  
0-10V Dimming

### LEDs:

Available in 4000K and 5000K CCT  
Epoxy Guard™ protective conformal coated boards

### Reduced Glare:

Positioning of the LED modules within the housing result in light directed to desired locations and reduces offensive light.

### Testing:

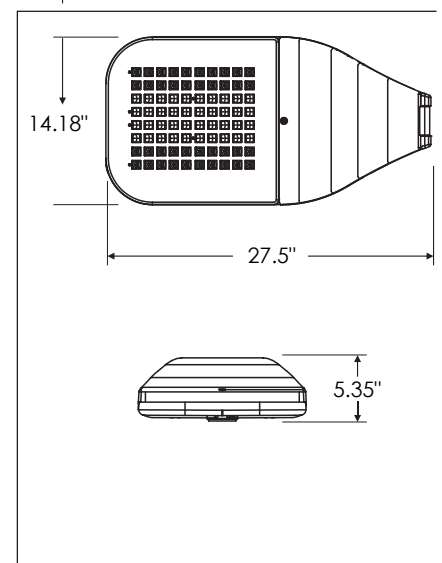
Atlas LED luminaires have been tested by an independent laboratory in accordance with IESNA LM-79 & LM-80.

### Warranty:

Five-year limited warranty  
7 Pin Photocell Receptacle standard  
Surge Protection standard



## DIMENSIONS:



<sup>1</sup>LED Life Span Based Upon LM-80 Test Results

**Rebates and Incentives are available in many areas. Contact an Atlas Representative for more information.**

## ATLAS LIGHTING PRODUCTS, INC.

PO BOX 2348 | BURLINGTON, NC 27216  
800-849-8485 | FAX: 1-855-847-2794 | www.atlasled.com

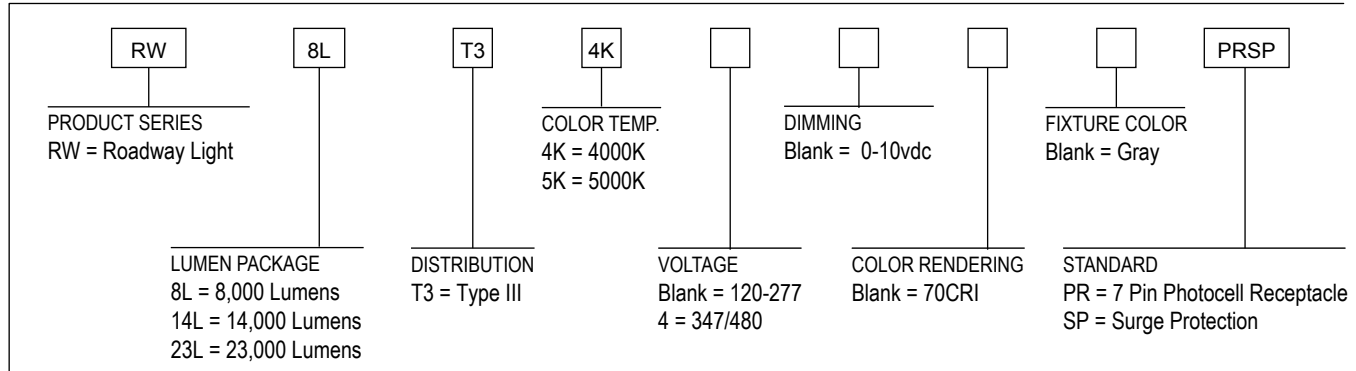
\*The majority of Atlas Lighting Products are assembled in USA facilities by an American Workforce utilizing both Domestic and Foreign components. Meets Buy American requirements within the ARRA.



# CONSTITUTION SERIES Roadway Light

LED Roadway Light

## ORDERING INFORMATION



## PERFORMANCE DATA

LUMEN PACKAGE	DISTRIBUTION	CRI	4000K CCT				5000K CCT			
			DELIVERED LUMENS	EFFICACY (LPW)	WATTAGE	DLC ID #	DELIVERED LUMENS	EFFICACY (LPW)	WATTAGE	DLC ID #
8L	Type III	70	8,193	132	63	P7FW08WC	8,238	130	64	PDO9BHH2
14L	Type III	70	13,850	116	120	PRJADB9R	14,070	115	122	PDGP7ITD
23L	Type III	70	22,230	119	186	PHHWJ3B2	22,360	120	187	PQB1GS72